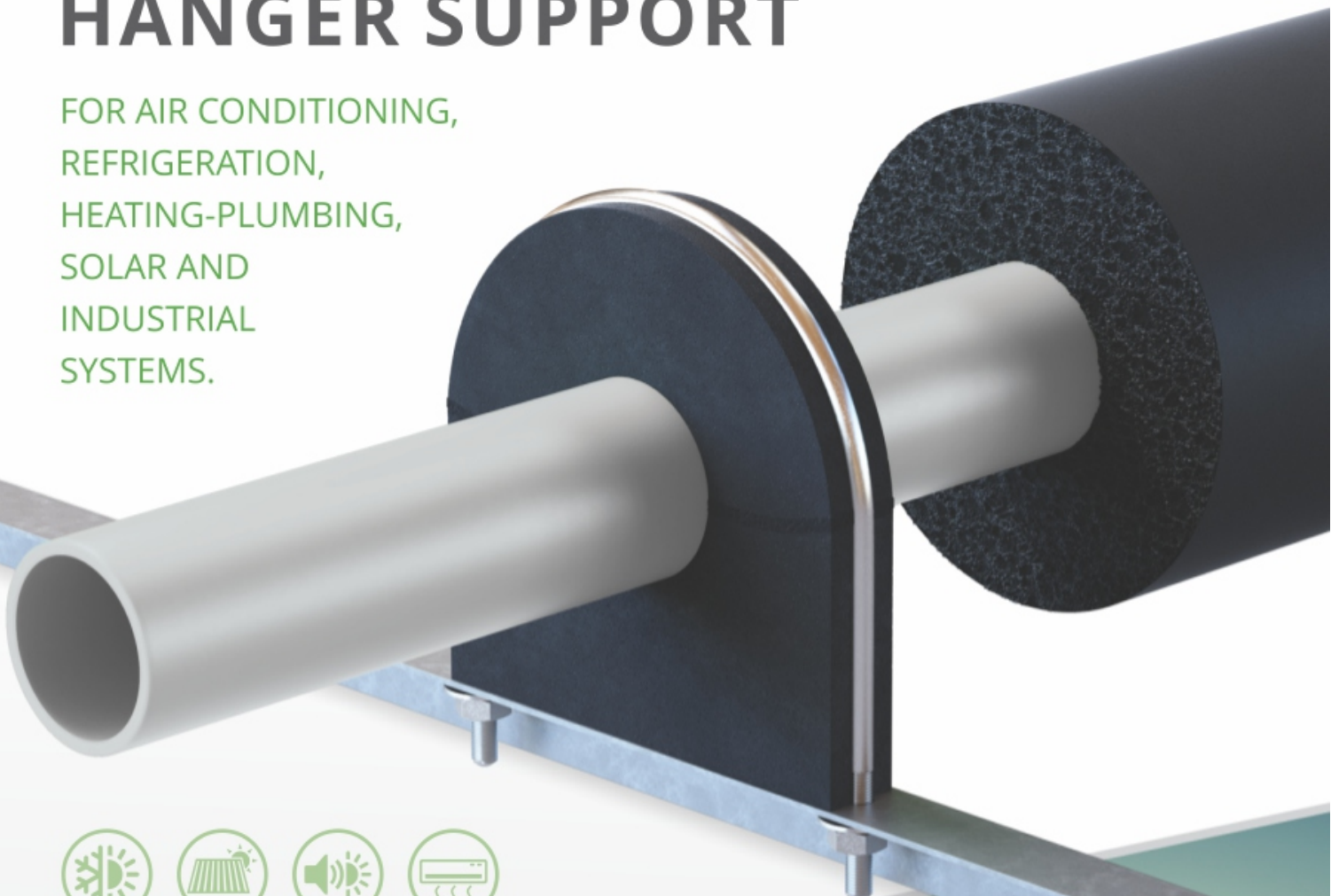


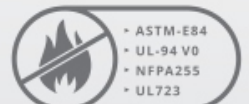


# INSULATING PIPE HANGER SUPPORT

FOR AIR CONDITIONING,  
REFRIGERATION,  
HEATING-PLUMBING,  
SOLAR AND  
INDUSTRIAL  
SYSTEMS.



**ASTM E-84  
APPROVED**





# INSULATING PIPE HANGER SUPPORT

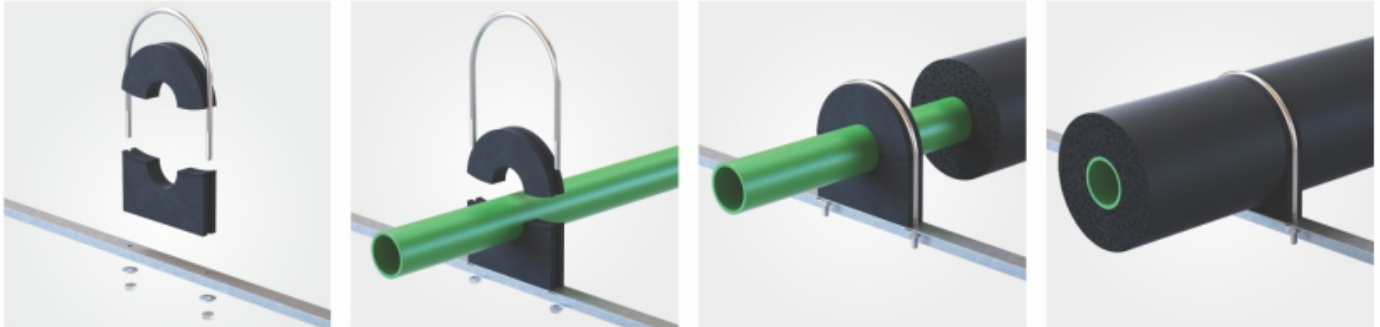
## DESCRIPTION:

LC FIX is a high resistance foam core pipe hanger with very high technology and exclusive U bolt locking system.

## APPLICATIONS:

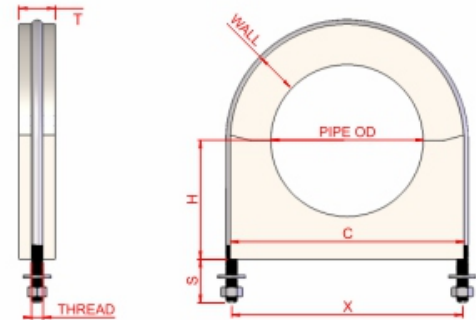
Indicated for full solutions pipe supporting that reduces the thermal brides and condensations.

ASSEMBLY



DIMENSIONS CHART

**HU** MODEL  
STAINLESS STEEL



Nominal 3/4" WALL

LC FIX	LC FIX ID	IPS	C		T		H		X		S		Thread	Max load	
Reference	Pipe OD	Nominal ID	Inch	mm	Inch	mm	Inch	mm	Inch	mm	Inch	mm	Inch	N	lb
HU01434SSI(06x19)	1/4" (7)	-	1,97	50	3/4"	20	1,06	27	2,13	54	7/8"	22	3/16"	110	24
HU03834SSI(10x19)	3/8" (10)	-	1,97	50	3/4"	20	1,06	27	2,13	54	7/8"	22	3/16"	157	35
HU01234SSI(13x19)	1/2" (13)	-	2,17	55	3/4"	20	1,16	30	2,32	59	7/8"	22	3/16"	204	45
HU05834SSI(16x19)	5/8" (16)	-	2,17	55	3/4"	20	1,16	30	2,32	59	7/8"	22	3/16"	251	55
HU03434SSI(19x19)	3/4" (19)	-	2,36	60	3/4"	20	1,26	32	2,52	64	7/8"	22	3/16"	298	66
HU07834SSI(22x19)	7/8" (22)	1/2"	2,56	65	3/4"	20	1,36	35	2,48	63	7/8"	22	3/16"	345	76
HU134SSI(25x19)	1" (25)	-	2,56	65	3/4"	20	1,36	35	2,48	63	7/8"	22	3/16"	408	90
HU11834SSI(28x19)	1.1/8" (28)	3/4"	2,76	70	3/4"	20	1,46	37	2,68	68	7/8"	22	3/16"	447	98
HU13834SSI(35x19)	1.3/8" (35)	1"	2,95	75	3/4"	20	1,56	40	2,87	73	7/8"	22	3/16"	549	121
HU15834SSI(42x19)	1.5/8" (42)	1.1/4"	3,15	80	1"	25	1,65	42	3,07	78	7/8"	22	3/16"	823	181
HU17834SSI(48x19)	1.7/8" (48)	1.1/2"	3,35	85	1"	25	1,75	45	3,27	83	7/8"	22	3/16"	941	207
HU21834SSI(54x19)	2.1/8" (54)	-	3,74	95	1"	25	1,95	50	3,66	93	7/8"	22	3/16"	1058	233
HU23834SSI(60x19)	2.3/8" (60)	2"	3,94	100	1"	25	2,05	52	3,86	98	7/8"	22	3/16"	1176	259
HU25834SSI(67x19)	2.5/8" (67)	-	4,33	110	1"	25	2,24	57	4,25	108	7/8"	22	3/16"	1313	289
HU334SSI(76x19)	3" (76)	2.1/2"	4,72	120	1"	25	2,44	62	4,65	118	1"	25	1/4"	1490	328
HU31834SSI(80x19)	3.1/8" (80)	-	4,72	120	1"	25	2,44	62	4,65	118	1"	25	1/4"	1568	345
HU31234SSI(89x19)	3.1/2" (89)	3"	5,12	130	1"	25	2,64	67	5,04	128	1"	25	1/4"	1764	389



RECYCLABLE



REDUCES ENERGY LOSSES  
PREVENTS CONDENSATIONS



ABSORB VIBRATIONS



CLOSED CELL AND  
MOISTURE RESISTANT



PREVENTS CORROSION



ATTENUATES NOISES

## PHYSICAL PROPERTIES:

Fire Resistance: ASTM-E84(C) / UL-94 Class V 0 / NFPA255 / UL723

Service temperature range: -40°F to 221°F (-40°C to 105°C)

Compressive strength: (ASTM D1056) 126 psi (870 kPa)

Thermal conductivity: (ASTM E1461) 0.38 BTU.in/ft<sup>2</sup>.hr.°F  
at 68°F (0,056 W/mK at 20°C)





# INSULATING PIPE HANGER SUPPORT

**HR** MODEL  
STAINLESS STEEL

Nominal 1/2" WALL

LC FIX Reference	LC FIX ID Pipe OD	IPS Nominal ID	C		T		H		S		XT		Hole	Max load	
			Inch	mm	Inch	mm	Inch	mm	Inch	mm	Inch	mm	Inch	N	lb
HR1412(06x13)	1/4"	-	1.57	40	3/4"	20	0.87	22	1"	25	2.60	66	1/4"	110	24
HR3812(10x13)	3/8"	-	1.57	40	3/4"	20	0.87	22	1"	25	2.60	66	1/4"	157	35
HR1212(13x13)	1/2"	-	1.57	40	3/4"	20	0.87	22	1"	25	2.60	66	1/4"	204	45
HR5812(16x13)	5/8" (16)	-	1.97	50	3/4"	20	1.06	27	1"	25	3.03	77	1/4"	251	55
HR3412(19x13)	3/4" (19)	-	1.97	50	3/4"	20	1.06	27	1"	25	3.03	77	1/4"	298	66
HR7812(22x13)	7/8" (22)	1/2"	1.97	50	3/4"	20	1.06	27	1"	25	3.03	77	1/4"	345	76
HR112(25x13)	1" (25)	-	2.17	55	3/4"	20	1.16	30	1"	25	3.43	87	1/4"	408	90
HU11812(28x13)	1.1/8" (28)	3/4"	2.17	55	3/4"	20	1.16	30	1"	25	3.43	87	1/4"	447	98

Nominal 3/4" WALL

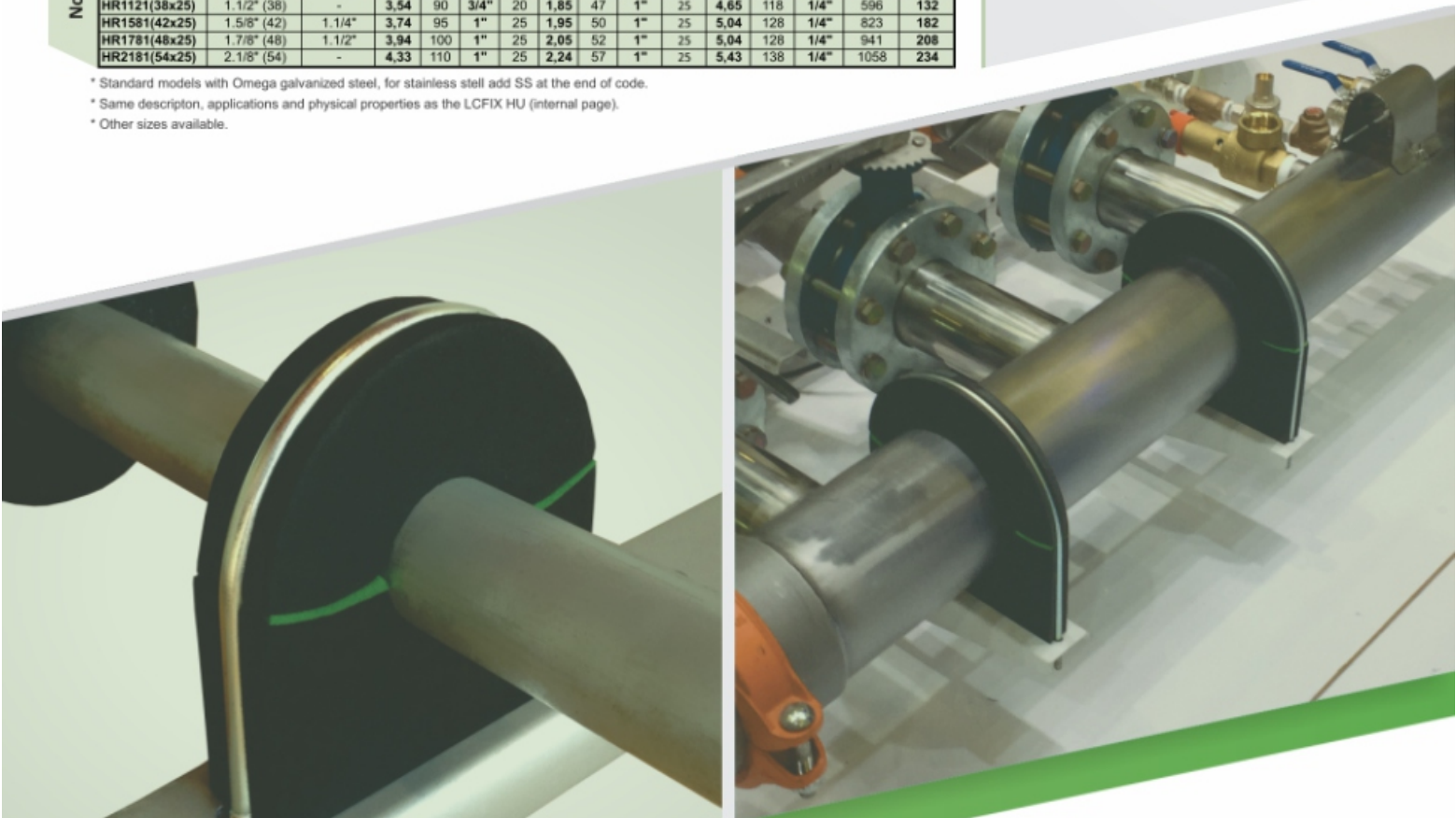
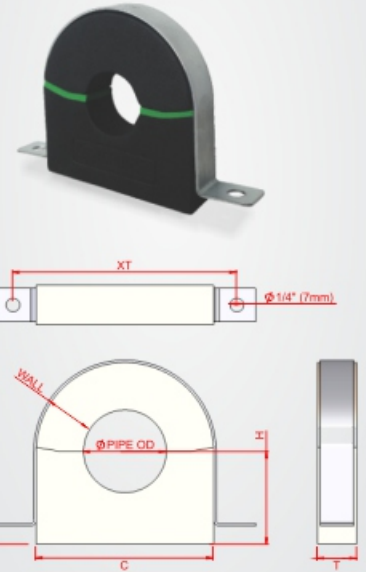
LC FIX Reference	LC FIX ID Pipe OD	IPS Nominal ID	C		T		H		S		XT		Hole	Max load	
			Inch	mm	Inch	mm	Inch	mm	Inch	mm	Inch	mm	Inch	N	lb
HR1434(06x19)	1/4" (7)	-	1.97	50	3/4"	20	1.06	27	1"	25	3.03	77	1/4"	110	24
HR3834(10x19)	3/8" (10)	-	1.97	50	3/4"	20	1.06	27	1"	25	3.03	77	1/4"	157	35
HR1234(13x19)	1/2" (13)	-	2.17	55	3/4"	20	1.16	30	1"	25	3.43	87	1/4"	204	45
HR5834(16x19)	5/8" (16)	-	2.17	55	3/4"	20	1.16	30	1"	25	3.43	87	1/4"	251	55
HR3434(19x19)	3/4" (19)	-	2.36	60	3/4"	20	1.26	32	1"	25	3.43	87	1/4"	298	66
HR7834(22x19)	7/8" (22)	1/2"	2.56	65	3/4"	20	1.36	35	1"	25	3.82	97	1/4"	345	76
HR134(25x19)	1" (25)	-	2.56	65	3/4"	20	1.36	35	1"	25	3.82	97	1/4"	408	90
HR11834(28x19)	1.1/8" (28)	3/4"	2.76	70	3/4"	20	1.46	37	1"	25	3.82	97	1/4"	447	98
HR13834(35x19)	1.3/8" (35)	1"	2.95	75	3/4"	20	1.56	40	1"	25	4.25	108	1/4"	549	121
HR15834(42x19)	1.5/8" (42)	1.1/4"	3.15	80	1"	25	1.65	42	1"	25	4.25	108	1/4"	823	181
HR17834(48x19)	1.7/8" (48)	1.1/2"	3.35	85	1"	25	1.75	45	1"	25	4.65	118	1/4"	941	207
HR21834(54x19)	2.1/8" (54)	-	3.74	95	1"	25	1.95	50	1"	25	5.04	128	1/4"	1058	233

Nominal 1" WALL

LC FIX Reference	LC FIX ID Pipe OD	IPS Nominal ID	C		T		H		S		XT		Hole	Max load	
			Inch	mm	Inch	mm	Inch	mm	Inch	mm	Inch	mm	Inch	N	lb
HR121(13x25)	1/2" (13)	-	2.56	65	3/4"	20	1.36	35	1"	25	3.82	97	1/4"	204	45
HR581(16x25)	5/8" (16)	-	2.56	65	3/4"	20	1.36	35	1"	25	3.82	97	1/4"	251	56
HR341(19x25)	3/4" (19)	-	2.76	70	3/4"	20	1.46	37	1"	25	4.25	108	1/4"	314	69
HR781(22x25)	7/8" (22)	1/2"	2.95	75	3/4"	20	1.56	40	1"	25	4.25	108	1/4"	353	78
HR11(25x25)	1" (25)	-	3.15	80	3/4"	20	1.65	42	1"	25	4.25	108	1/4"	400	88
HR1181(28x25)	1.1/8" (28)	3/4"	3.15	80	3/4"	20	1.65	42	1"	25	4.25	108	1/4"	447	99
HR1141(32x25)	1.1/4" (32)	-	3.35	85	3/4"	20	1.75	45	1"	25	4.65	118	1/4"	502	111
HR1381(35x25)	1.3/8" (35)	1"	3.35	85	3/4"	20	1.75	45	1"	25	4.65	118	1/4"	549	121
HR1121(38x25)	1.1/2" (38)	-	3.54	90	3/4"	20	1.85	47	1"	25	4.65	118	1/4"	596	132
HR1581(42x25)	1.5/8" (42)	1.1/4"	3.74	95	1"	25	1.95	50	1"	25	5.04	128	1/4"	823	182
HR1781(48x25)	1.7/8" (48)	1.1/2"	3.94	100	1"	25	2.05	52	1"	25	5.04	128	1/4"	941	208
HR2181(54x25)	2.1/8" (54)	-	4.33	110	1"	25	2.24	57	1"	25	5.43	138	1/4"	1058	234

- \* Standard models with Omega galvanized steel, for stainless steel add SS at the end of code.
- \* Same descriptor, applications and physical properties as the LCFIX HU (internal page).
- \* Other sizes available.

## DIMENSIONS CHART



**LC PETRY LLC**

10101 SOUTHWEST FREEWAY, STE 201  
HOUSTON TX 77074  
SALES@LCPETRY.COM



WWW.LCPETRY.COM

